



Roll-in rack Retarder proofer Mod. LIBECCIO



GENERAL STANDARD CHARACTERISTICS:

- Working temperature : -10°C / +40°C
- Humidity range : up to 95%
- Structure : Modular self holding panels, insulated with 60mm high density (43kg/m³) expanded polyurethan. Internal stainless steel bumpers. Air convection system by means of modular, stainless steel group, easy to disassemble and clean.
- Internal coating : AISI 304 stainless steel
- External coating : Pre-painted galvanized steel sheet
- Doors : hinged, mounted directly on a suitably reinforced panel. Characteristic :
 - One-latch heavy duty lock with key and safety release
 - Stainless steel frame
 - Equipped with silicon gaskets
 - Industrial adjustable hinges
 - Heavy duty stainless steel entry ramps



- **Floor** : 60mm isolated panel Reinforced with a 10mm ST Phenolic Stratified laminate with orange peel surface finish, R10 anti-slip.
Capacities:
Evenly distributed static load 4500 Kg/m² ; Concentrated load: 800 Kg/50cm² ;
Maximum dynamic load on 1 rubber wheel with a minimum contact surface of 3 cm² 240 Kg.

AIR CONDENSING UNIT , Gas R452a, equipped with :

- Tecumseh Hermetic compressor
- Two fan tropicalized condenser (ambient temperature up to +43°C)
- Liquid receiver - Flare connected drier filter - Sight-glass
- High pressure switch with fixed setting and automatic reset
- Solenoid valve on the liquid line
- Nitrogen-pressurized condensing unit
- Liquid and suction connections to be welded
- Junction box wire connections



Fan Air-Evaporator with heating elements for the leavening phase.

General characteristics :

Coil - Housing

The coil, made of aluminium fins and copper tube.
This model has 200 mm fan diameter with 3,5 mm fin spacing.
The coils are tested with nitrogen at a pressure of 15 bar.
The housing is made of aluminium.

Fan motors

The fan motor models in use have the following features:

- manufactured following EN 60335-1 laws, with internal thermal protection
- power supply 230-240V/1/50-60Hz
- IP54 protection rate
- F insulation class
- electrics made in conformity with 73/23 CEE Low Tension directive

Heating Elements :

- Nr. 2 stainless steel elements each evaporator

- Humidification created by means of a self- containing **electronic steam producer**.
- Internal steam distribution through stainless steel duct distribution pipe



- Correct detection of internal heat and humidity by means of temperature (**A**) and humidity (**B**) probes

- **Centrifugal ventilator** for dehumidification



LCD CONTROL PANEL

Colour TFT graphic display capable of managing an automatic cycle with 5 phases:

- Cooldown,
- conservation,
- Retard,
- Proving,
- After cooling (sleeper)

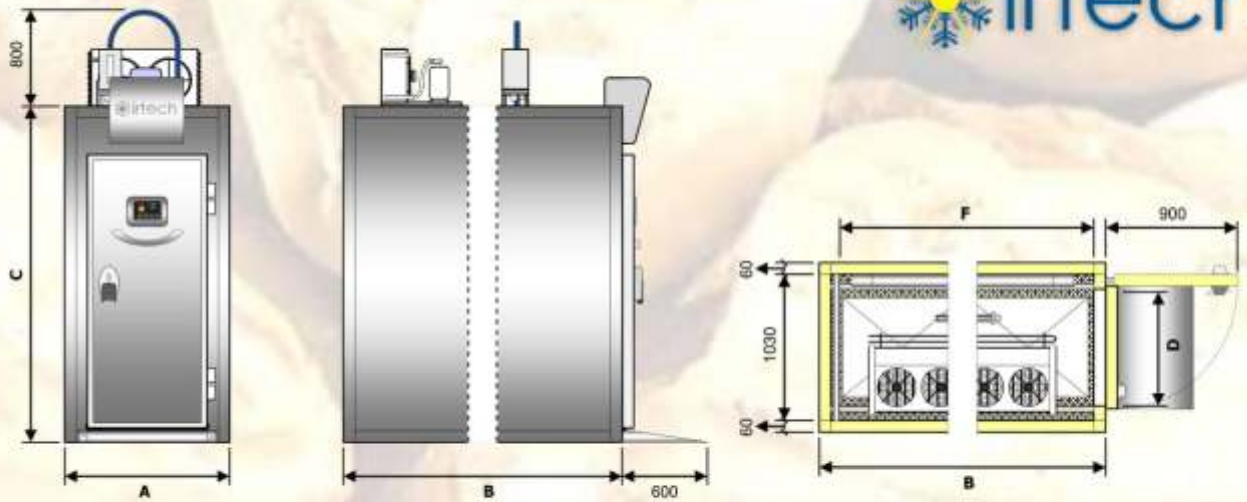
Also the manual operation is possible.

The fan speed is adjustable independently for each phase.

The programs kept in memory are 20. It is also equipped with USB communication port to allow the upload and the download of the settings and the data recorded by the controller, through a common USB flash drive.



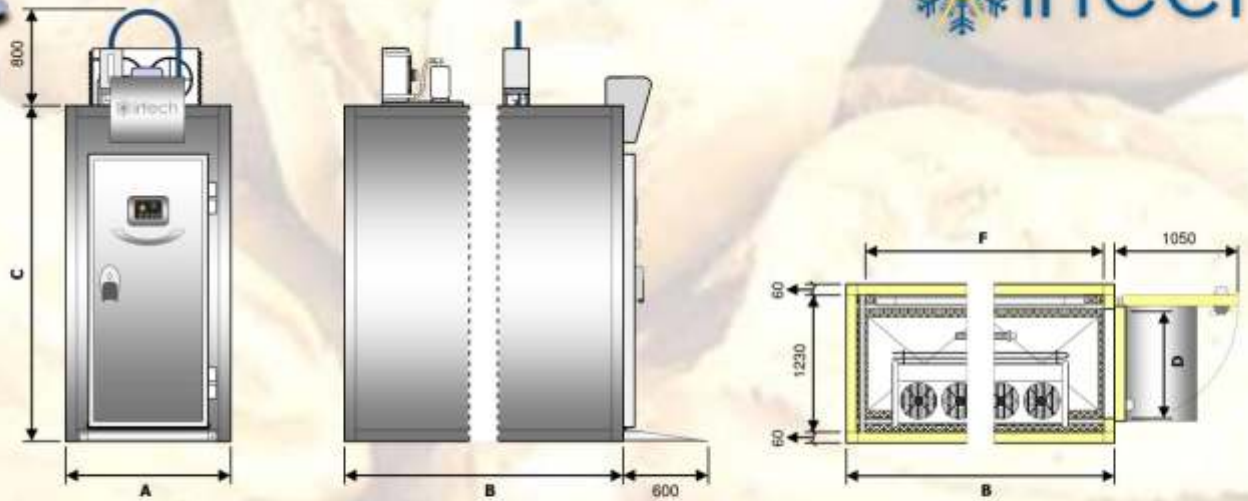
- Maximum **rack** height mm. 1980



	Racks cm. 46x62 Trays cm. 60x40	Racks cm. 56x72 Trays cm. 50x70	Racks cm. 66x82 Trays cm. 60x80	Racks cm. 66x102 Trays cm. 60x100	Racks cm. 86x102 Trays cm. 80x100
LIBECCIO 168sl	1	1	1	-	-
LIBECCIO 264sl	2	2	1	1	-
LIBECCIO 364sl	3	2	1	1	-
LIBECCIO 268sl	3	3	2	1	-
LIBECCIO 464sl	4	3	2	1	-
LIBECCIO 457sl	4	4	2	2	-
LIBECCIO 368sl	5	4	3	2	-
LIBECCIO 557sl	6	5	3	2	-
LIBECCIO 3610sl	6	5	3	3	-
LIBECCIO 468sl	7	6	4	3	-

Code	Model	Temp	UR	External Dimensions			Internal useful dimensions			Door		Productivity	Power
				cm	cm	cm	cm	cm	cm	cm	cm		
		°C	%	A	B	C	D	F	E	D	E		
18 LBC 168sl	LIBECCIO 168sl	-10°/+40°	70÷95	115 x 115 x 255			77 x 85 x 196			80 x 200		45	230/50/1F 0,75Hp; 3.5 kW
18 LBC 264sl	LIBECCIO 264sl	-10°/+40°	70÷95	115 x 135 x 255			77 x 115 x 196			80 x 200		65	230/50/1F 1Hp; 3.5kW
18 LBC 364sl	LIBECCIO 364sl	-10°/+40°	70÷95	115 x 175 x 255			77 x 155 x 196			80 x 200		90	230/50/1F 1.25Hp; 3.5 kW
18 LBC 268sl	LIBECCIO 268sl	-10°/+40°	70÷95	115 x 195 x 255			77 x 175 x 196			80 x 200		90	230/50/1F 1,25Hp; 4 kW
18 LBC 464sl	LIBECCIO 464sl	-10°/+40°	70÷95	115 x 215 x 255			77 x 195 x 196			80 x 200		135	230/50/1F 1,5Hp; 4kW
18 LBC 475sl	LIBECCIO 475sl	-10°/+40°	70÷95	115 x 255 x 255			77 x 235 x 196			80 x 200		135	230/50/1F 1,5Hp; 5kW
18 LBC 368sl	LIBECCIO 368sl	-10°/+40°	70÷95	115 x 275 x 255			77 x 255 x 196			80 x 200		135	230/50/1F 1,5Hp; 5kW
18 LBC 557sl	LIBECCIO 557sl	-10°/+40°	70÷95	115 x 315 x 255			77 x 295 x 196			80 x 200		155	230/50/1F 1,75Hp; 5kW
18 LBC 3610sl	LIBECCIO 3610sl	-10°/+40°	70÷95	115 x 335 x 255			77 x 315 x 196			80 x 200		155	230/50/1F 1,75Hp; 5 kW
18 LBC 468sl	LIBECCIO 468sl	-10°/+40°	70÷95	115 x 375 x 255			77 x 355 x 196			80 x 200		180	400/50/3F 2Hp ; 4 kW

*Capacity calculated on the basis of baguettes gr. 100-600



	Racks cm. 46x62 Trays cm. 60x40	Racks cm. 56x72 Trays cm. 50x70	Racks cm. 66x82 Trays cm. 60x80	Racks cm. 66x102 Trays cm. 60x100	Racks cm. 86x102 Trays cm. 80x100
LIBECCIO 168	1	1	1	-	-
LIBECCIO 1810	2	2	1	1	1
LIBECCIO 268	2	2	2	1	1
LIBECCIO 464	4	3	2	1	1
LIBECCIO 368	4	3	3	2	2
LIBECCIO 457	4	4	3	2	2
LIBECCIO 564	5	4	3	2	2
LIBECCIO 486	5	4	4	2	2
LIBECCIO 664	6	5	4	2	2
LIBECCIO 3810	6	6	4	3	3

Code	Model	Temp	UR	External Dimensions			Internal useful dimensions			Door		Productivity	Power
				cm	cm	cm	cm	cm	cm	cm	cm		
		°C	%	A	B	C	D	F	E	D	E		
18 LBC 186	LIBECCIO 186	-10°/+40°	70÷95	135	95	255	92	85	196	95	200	45	230/50/1F 0,75Hp; 3.5 kW
18 LBC 1810	LIBECCIO 1810	-10°/+40°	70÷95	135	135	255	92	115	196	95	200	65	230/50/1F 1Hp; 3.5kW
18 LBC 286	LIBECCIO 286	-10°/+40°	70÷95	135	155	255	92	135	196	95	200	90	230/50/1F 1.25Hp; 3.5 kW
18 LBC 464	LIBECCIO 464	-10°/+40°	70÷95	135	215	255	92	195	196	95	200	135	230/50/1F 1,5Hp; 4kW
18 LBC 386	LIBECCIO 386	-10°/+40°	70÷95	135	235	255	92	215	196	95	200	135	230/50/1F 1,5Hp; 4kW
18 LBC 475	LIBECCIO 475	-10°/+40°	70÷95	135	255	255	92	235	196	95	200	155	230/50/1F 1,75Hp; 5kW
18 LBC 564	LIBECCIO 564	-10°/+40°	70÷95	135	275	255	92	255	196	95	200	155	230/50/1F 1,75Hp; 5 kW
18 LBC 486	LIBECCIO 486	-10°/+40°	70÷95	135	295	255	92	275	196	95	200	180	400/50/3F 2Hp; 4 kW
18 LBC 664	LIBECCIO 664	-10°/+40°	70÷95	135	315	250	92	295	196	95	200	180	400/50/3F 2Hp; 4 kW
18 LBC 3810	LIBECCIO 3810	-10°/+40°	70÷95	135	335	255	92	315	196	95	200	180	400/50/3F 2Hp; 4 kW

*Capacity calculated on the basis of baguettes gr. 100-600